

PRORIL

50 Hz

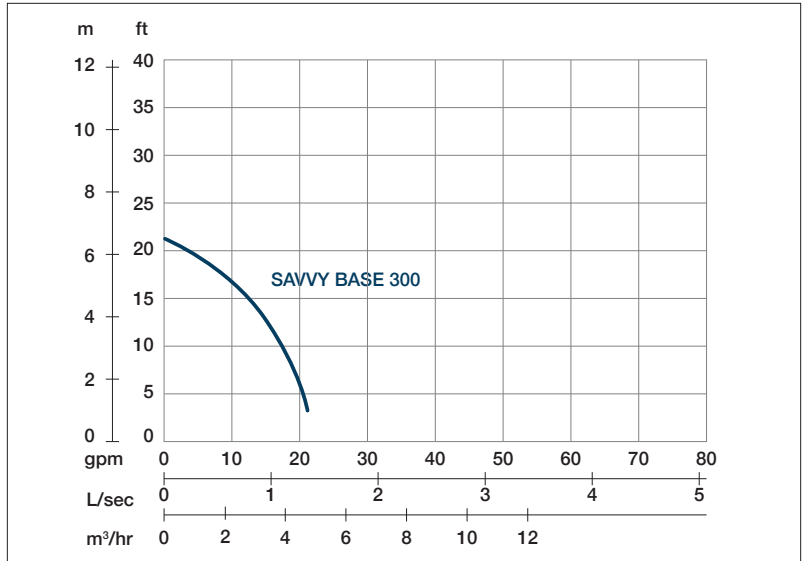
Designed for light weight, excellent performance, low energy consumption, and easy maintenance, PRORIL residue pumps can pump down to a low water level at 1/16" (2mm), which is ideal for pumping flat surface such as basements, parking garages, pools, spas and etc.

Handy and Residue Pump

SAVVY BASE 300

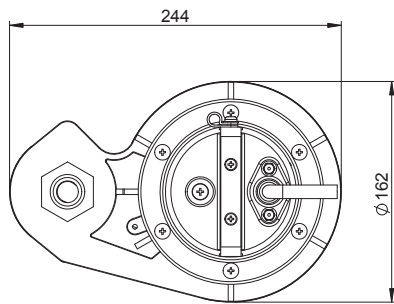
Residue Pump



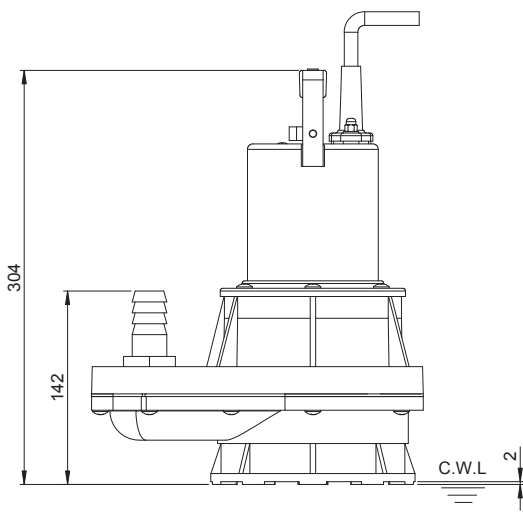


Shaft Speed : 2850 rpm

Outlet : 25mm, 1in



OUTPUT	HEAD	FLOW
0.25 kW	Rated : 4m, 13ft	Rated : 1 l/s, 15 gpm
0.33 HP	Max : 6.5m, 21ft	Max : 1.3 l/s, 21 gpm



Weight : 13kg / 29 lbs

Pump Type	Electric Submersible Pumps	
	1-Phase	
Motor	Type	Induction Motor
	Poles	2 Pole
	Insulation	Class F
	Protector	Miniature Thermal Protector
	Starter	Capacitor-Run
Lubricant	Food Grade (ISO VG115)	
Impeller Type	Vortex	
Shaft Seal	Single Mechanical Seal	
	Ceramic / Carbon	
Bearings	C3 Shielded ball bearings	
Cable	H07RNF	
	Length: 10m (33ft) or longer upon request.	
Materials	Pump Casing	Plastic
	Impeller	Techno-polymer
	Motor Frame	Stainless Steel
	Motor Shaft	Stainless Steel
	Bottom Plate	Plastic
Max. Liquid Temperature	104°F (40°C)	
Max. Submersion Depth	66ft (20m)	
pH Range	pH 5 - pH 8	