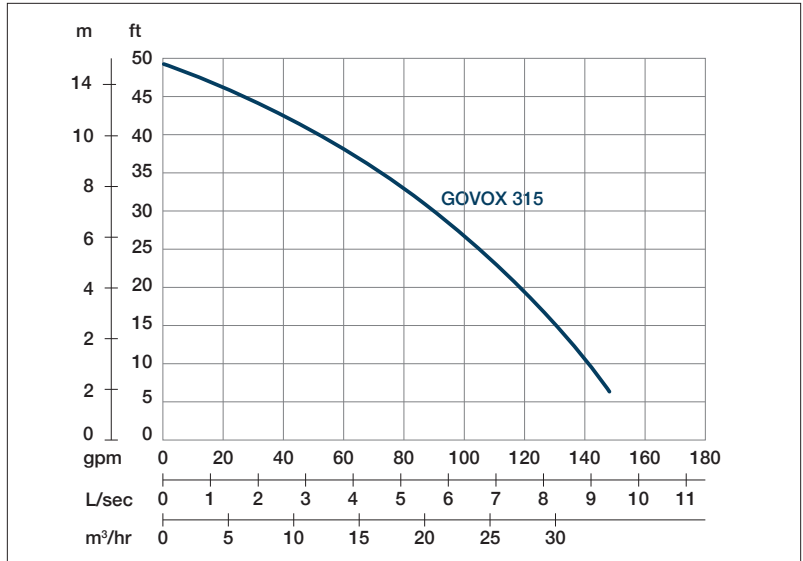


Sewage Pump

GOVOX 315-315S

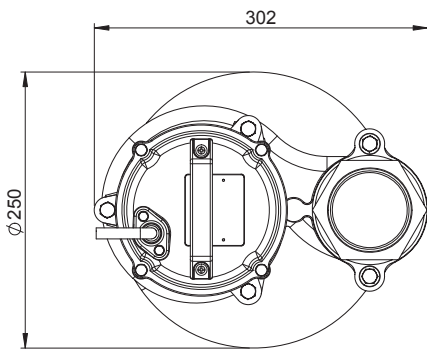
Vortex Pump



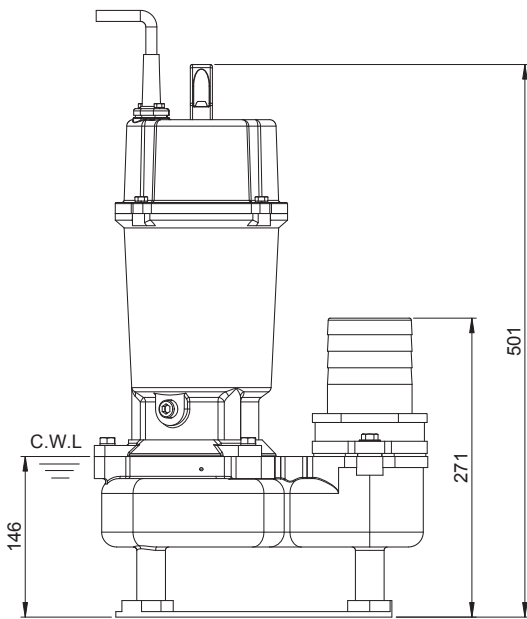


Shaft Speed : 2850 rpm

Outlet : 80mm, 3in



OUTPUT	HEAD	FLOW
1.5 kW	Rated : 10m, 33ft	Rated : 5 l/s, 79 gpm
2 HP	Max : 15m, 49ft	Max : 9 l/s, 145 gpm



Weight : 24kg / 53 lbs

Pump Type	Electric Submersible Pumps	
	1-Phase, 3-Phase	
Motor	Type	Induction Motor
	Poles	2 Pole
	Insulation	Class F
	Protector	Circle Thermal Protector
	Starter	1-Phase • Capacitor-Run, 3-Phase • D.O.L.
Lubricant	Food Grade (ISO VG32)	
Impeller Type	Vortex	
Shaft Seal	Double Mechanical Seal	
	Silicon Carbide VS Ceramic / Carbon	
Bearings	C3 Shielded ball bearings	
Cable	H07RNF	
	Length: 10m (33ft) or longer upon request.	
Materials	Pump Casing	Gray Iron
	Impeller	Gray Iron
	Motor Frame	Gray Iron
	Motor Shaft	Stainless Steel
Max. Liquid Temperature	104°F (40°C)	
Max. Submersion Depth	66ft (20m)	
pH Range	pH 5 - pH 8	
Accessories	GRL-03F	