

PRORIL

50 Hz

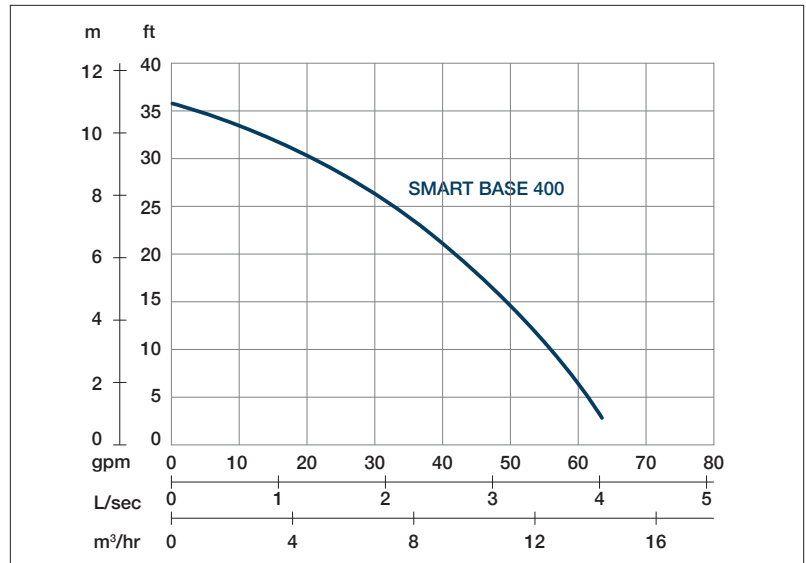
Designed for light weight, excellent performance, low energy consumption, and easy maintenance, PRORIL residue pumps can pump down to a low water level at 1/16" (2mm), which is ideal for pumping flat surface such as basements, parking garages, pools, spas and etc.

Handy and Residue Pump

SMART BASE 400

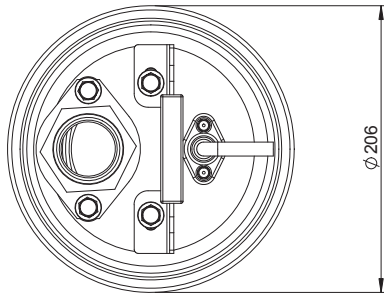
Residue Pump



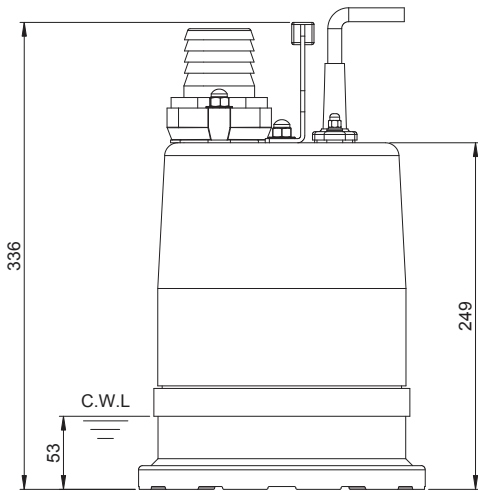


Shaft Speed : 2850 rpm

Outlet : 50mm, 2in



| OUTPUT | HEAD | FLOW |
|--------|------------------|-----------------------|
| 0.4 kW | Rated : 7m, 23ft | Rated : 2 l/s, 37 gpm |
| 0.5 HP | Max : 11m, 36ft | Max : 4 l/s, 63 gpm |



Weight : 14kg / 31 lbs

| | | |
|-------------------------|--------------------------------------------|-------------------------------------------|
| Pump Type | Electric Submersible Pumps | |
| | 1-Phase, 3-Phase | |
| Motor | Type | Induction Motor |
| | Poles | 2 Pole |
| | Insulation | Class F |
| | Protector | Circle Thermal Protector |
| | Starter | 1-Phase • Capacitor-Run, 3-Phase • D.O.L. |
| Lubricant | Food Grade (ISO VG32) | |
| Impeller Type | Opened | |
| Shaft Seal | Double Mechanical Seal | |
| | Silicon Carbide VS Ceramic / Carbon | |
| Bearings | C3 Shielded ball bearings | |
| Cable | H07RNF | |
| | Length: 10m (33ft) or longer upon request. | |
| Materials | Pump Casing | Gray Iron |
| | Impeller | Gray Iron |
| | Motor Frame | Stainless Steel |
| | Motor Shaft | Stainless Steel |
| | Bottom Plate | Synthetic Rubber |
| | Outer Cover | Stainless Steel |
| Max. Liquid Temperature | 104°F (40°C) | |
| Max. Submersion Depth | 66ft (20m) | |
| pH Range | pH 5 - pH 8 | |