

PRORIL

50 Hz

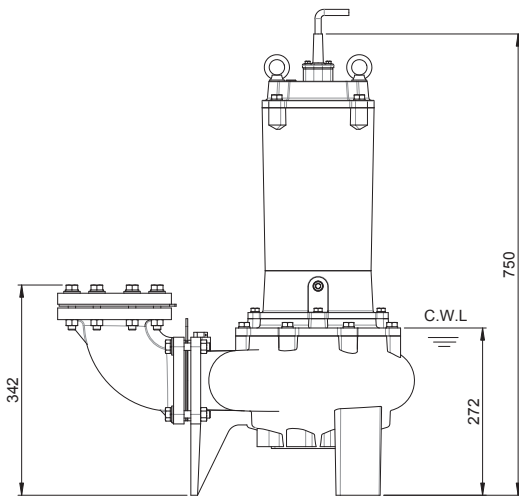
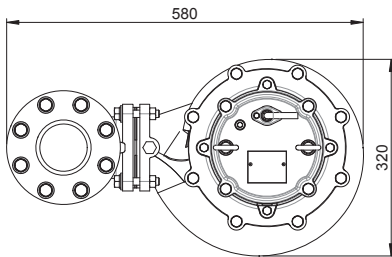
GOMAX Series, these non-clog pumps employ a single-channel enclosed impeller to efficiently and reliably transfer 76mm diameter solids without clogging. GOMAX series pumps are suitable for commercial and industrial wastewater applications.

Sewage Pump

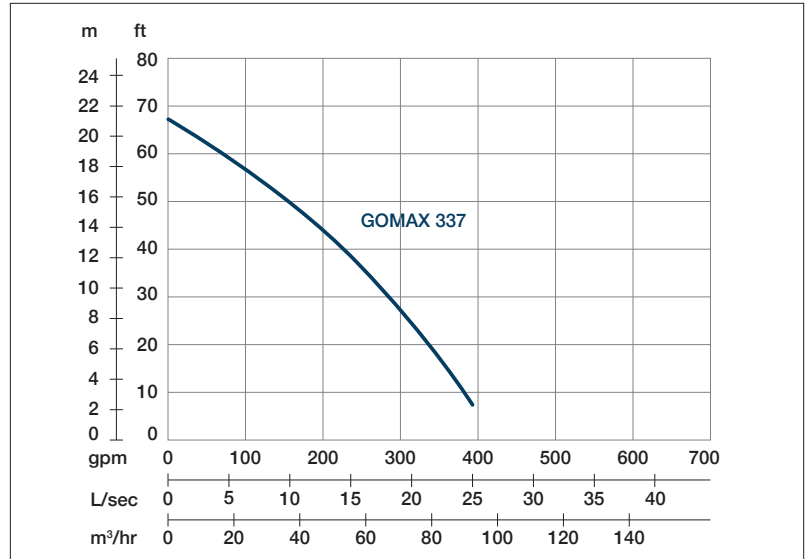
GOMAX 337

Single Channel Pump





Weight : 94kg / 207 lbs



Shaft Speed : 1450 rpm

Outlet : 80mm, 3in

| OUTPUT | HEAD | FLOW |
|--------|---------------------|-------------------------|
| 3.7 kW | Rated : 12.5m, 41ft | Rated : 13 l/s, 211 gpm |
| 5 HP | Max : 20.4m, 67ft | Max : 25 l/s, 396 gpm |

| | | |
|-------------------------|-------------|--|
| Pump Type | | Electric Submersible Pumps |
| | | 3-Phase |
| Motor | Type | Induction Motor |
| | Poles | 4 Pole |
| | Insulation | Class F |
| | Protector | Circle Thermal Protector |
| | Starter | D.O.L. |
| Lubricant | | Food Grade (ISO VG32) |
| Impeller Type | | Single Channel |
| Shaft Seal | | Double Mechanical Seal |
| | | Silicon Carbide VS Ceramic / Carbon |
| Bearings | | C3 Shielded ball bearings |
| Cable | | H07RNF |
| | | Length: 10m (33ft) or longer upon request. |
| Materials | Pump Casing | Gray Iron |
| | Impeller | Gray Iron |
| | Motor Frame | Gray Iron |
| | Motor Shaft | Stainless Steel |
| | Mouth Ring | Copper Alloy |
| Max. Liquid Temperature | | 104°F (40°C) |
| Max. Submersion Depth | | 66ft (20m) |
| pH Range | | pH 5 - pH 8 |
| Accessories | | GRN-03 |